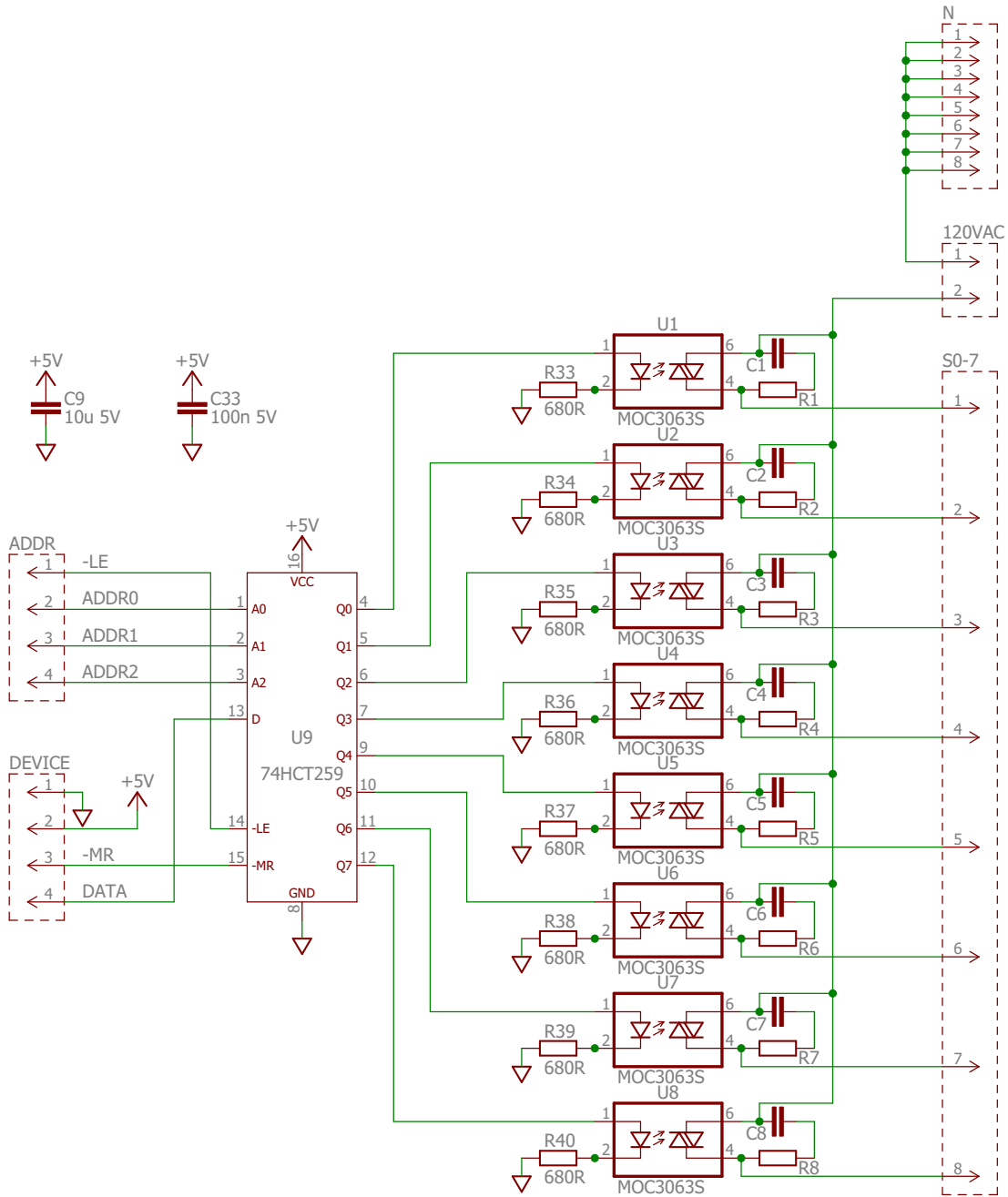


Snubbers (C1..C8 & R1..R8)
 Capacitors: 100n, 200-250V
 Resistor: 33R .. 39R



Switchbank, 8-channel

Part Number SB8 Rev B

Engineer Jim Wilson

Date 2021-10-10 Sheet 1/1